

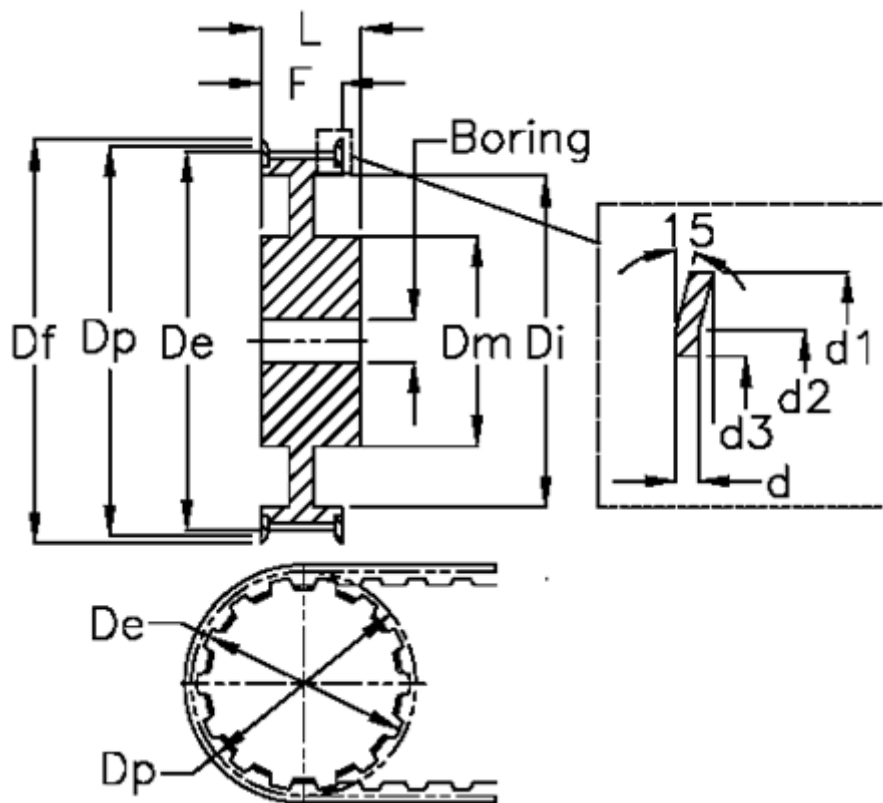
# Data Sheet



Article number: 604144056020

Description: Timing belt pulley with hub  
HTD 56 8M 20

## Measures



Bore = 15	Dm = 80	Width = 20
d = 1.5	Dp = 142.6	
d1 = 150	F = 116	
d2 = 145	Flange type = F48	
d3 = 130	L = 28	
De = 141.23	Tooth number = 56	
Df = 150	Type = 8M	
Di = 38	Weight = 2.6	